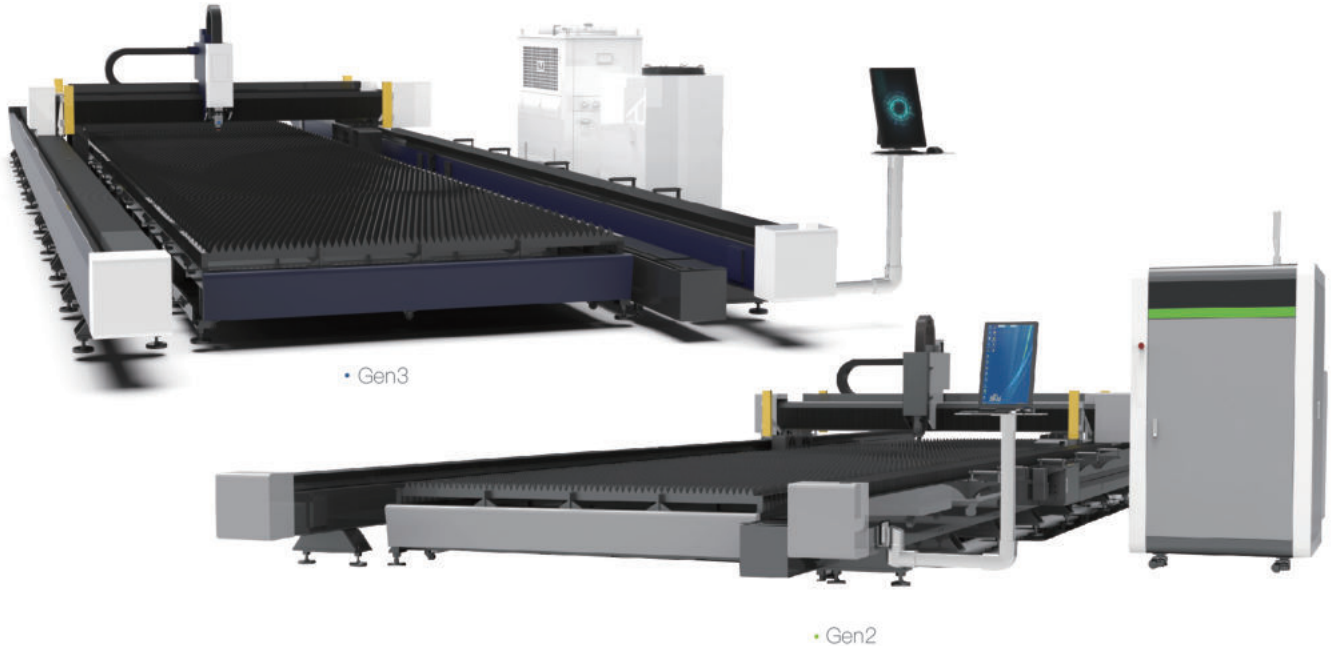
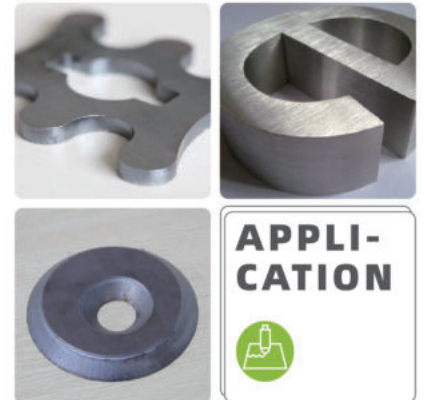


LF-L Large Size Fiber Laser Cutting Machine



Product Description

- ▶ The ground rail type large-format fiber laser cutting machine offers versatile solutions for customers in the construction, automotive, and shipping industries.
- ▶ Equipped with a high-power fiber laser, it can be paired with an air compressor to utilize compressed air for efficient mass cutting, reducing cutting costs and improving efficiency.
- ▶ Utilizing the bus signal transmission method, this machine ensures faster signal response, higher precision, and increased operational sensitivity. The follow-up support system provides maximum protection for the pipe, minimizing the risk of damage.



Technical Parameters

Mode	LF-12025L	LF-14035L
Working Area	12000*2500mm	14000*3500mm
X Y Z Axis Stroke	2550*12250*260mm	3550*14250*260mm
Laser Power Supply	12000w, 20000w, 30000w, 40000w, 50000w, etc.	
Maximum Acceleration	1G	
Positioning Accuracy	±0.03mm	
Voltage	380V 3PH 50/60HZ	
Cutting Ability	Carbon Steel: 1-80mm, Stainless Steel: 1-70mm, Aluminum: 1-60mm, Brass: 1-20mm	
Upgrade	Air Conditioner, Smoke Purifier, Air Compressor, Voltage Regulator, Safety Light Curtain	